

## OP AMP Amplifier Card

### EEA-AMP-451-A-10 Series

#### General Description

This card has been developed as a universal element for system construction. The large number of different OP AMP circuits, individual assignment to solder terminals and the possibility of external linking of the individual OP AMPs, make this card very versatile.

#### Features and Benefits

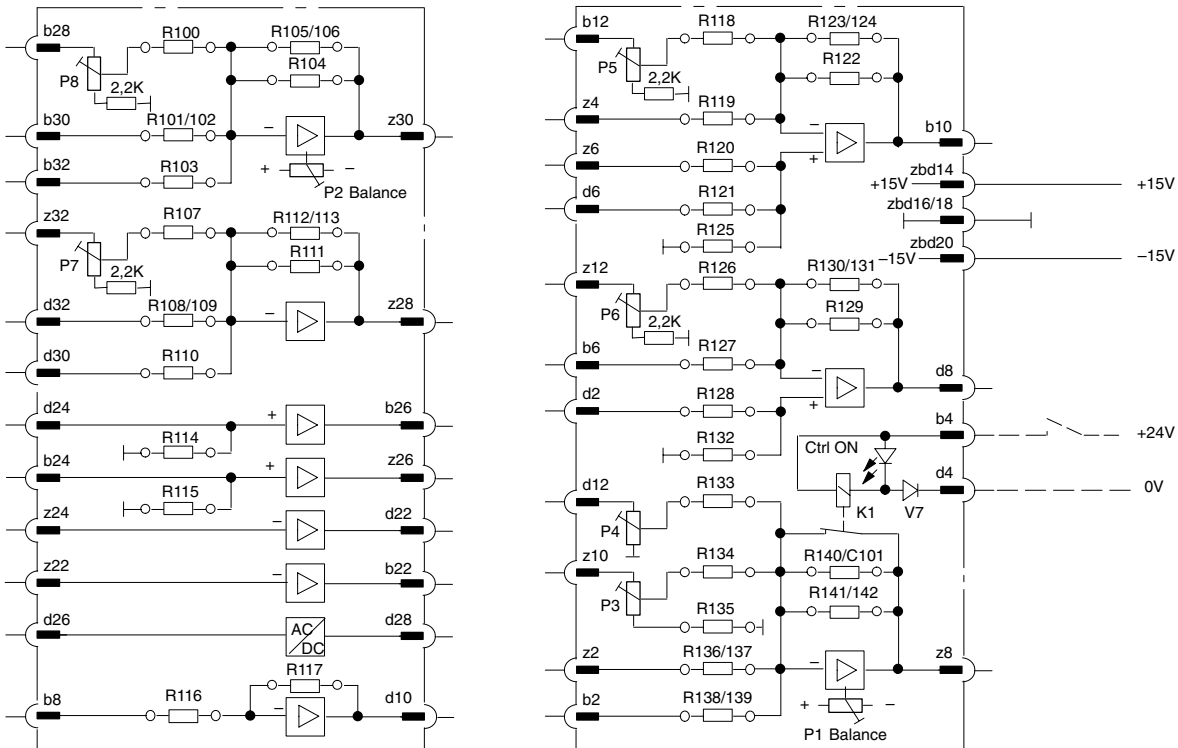
- 11 OP AMP circuits.
- Assignment to solder terminals, therefore highly flexible.
- External wiring of individual OP AMPs possible.
- 8 spindle-drive resistors on the front panel, for fine adjustment of the OP AMPs.
- 1 relay for enabling an amplifier.
- An LED on the front panel indicates the switching status.

#### Operating Data

Supply voltage	..... $\pm 15V \pm 5\%$ ,
	x 50 mA max.
Relay voltage	..... $24V \pm 20\%$ ,
	approx. 30 mA
Differential amplifiers	..... 2
Summing circuits	..... 2
P/I controllers	..... 1
Millivolt rectifiers	..... 1
Inverters	..... 3
Voltage followers	..... 2
Male connector	..... DIN 41612, F48
Mass	..... 0,14 kg (0.3 lb)

### Connection Diagram

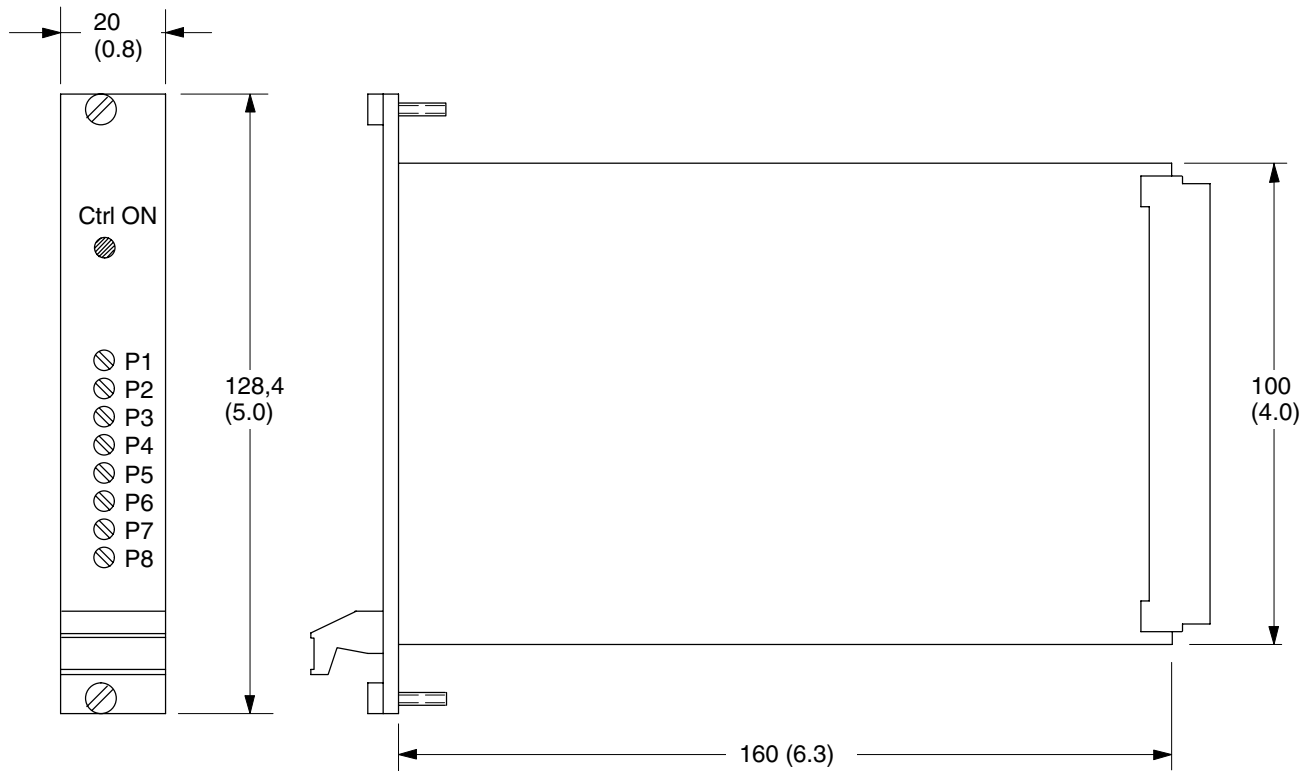
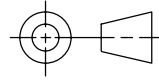
EEA-AMP-451-A-10



# Installation Dimensions

mm (Inch)

3rd angle  
projection



**Eaton Hydraulics**  
15151 Highway 5  
Eden Prairie, MN 55344  
Telephone: 612 937-7254  
Fax: 612 937-7130  
[www.eatonhydraulics.com](http://www.eatonhydraulics.com)

46 New Lane, Havant  
Hampshire PO9 2NB  
England  
Telephone: (44) 170-548-6451  
Fax: (44) 170-548-7110

